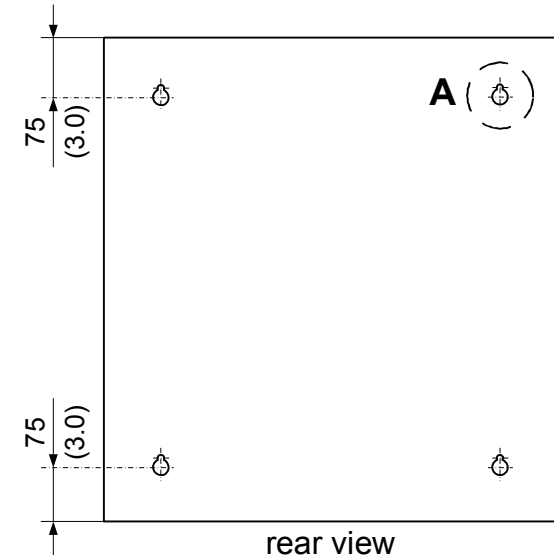
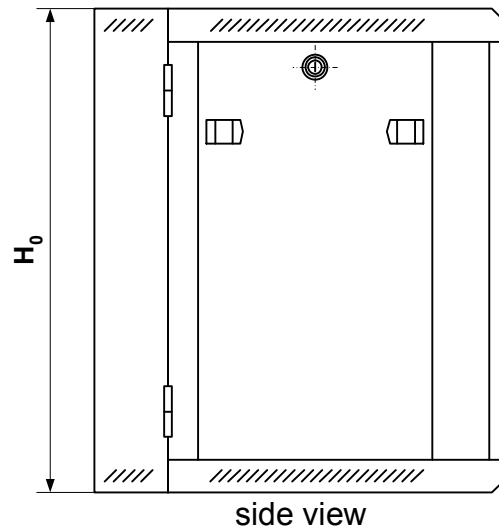
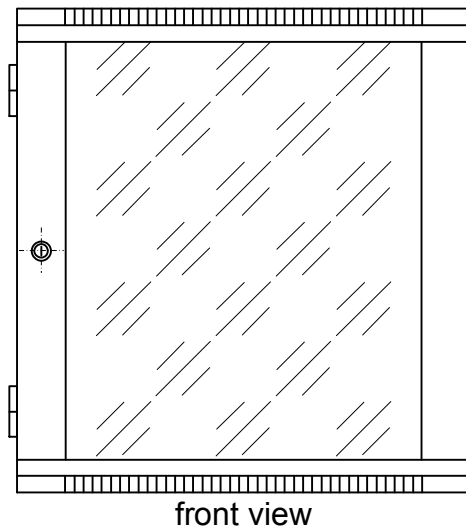
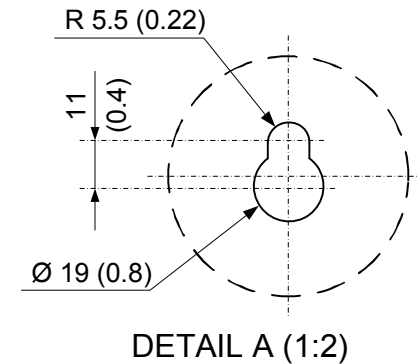
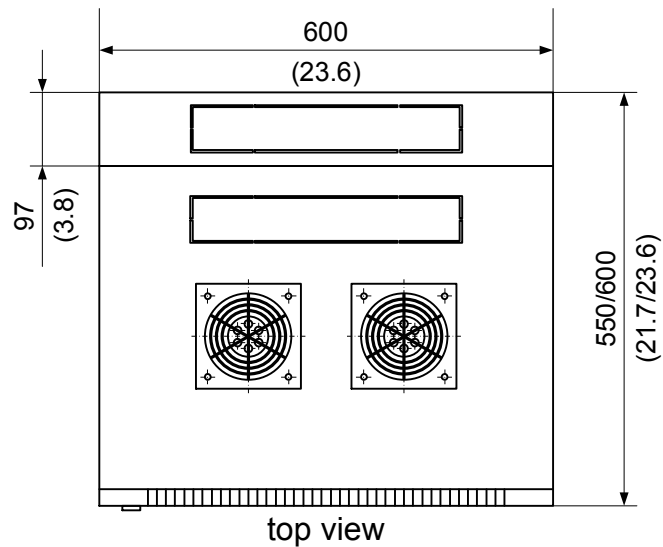


REVISIONS

| ZONE | REV | DESCRIPTION    | DATE   | APPROVED |
|------|-----|----------------|--------|----------|
|      | A   | A-OCT-11 WEC-D | OCT'11 |          |



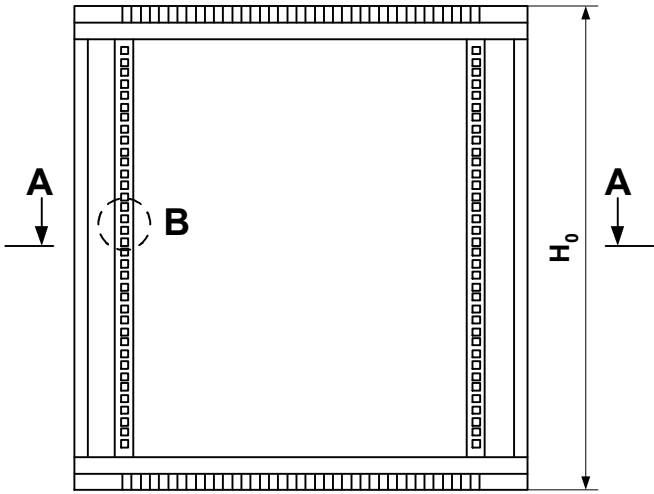
UNLESS OTHERWISE SPECIFIED  
DIMENSIONS ARE IN MILLIMETERS (INCHES)  
TOLERANCES (MM):  
L<=20 (0.8) ±0.1 (0.004)  
L>20 (0.8) ±0.2 (0.008)  
ANGULAR: ±0° 50'

**MATERIAL:** AS NOTES  
**MECHANICAL:** AS NOTES  
**ELECTRICAL:** AS NOTES

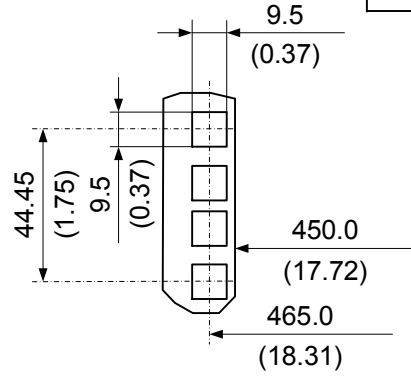
**SIGNAMAX**<sup>TM</sup>  
CONNECTIVITY SYSTEMS

|                             |                 |                              |             |   |                     |
|-----------------------------|-----------------|------------------------------|-------------|---|---------------------|
| <b>PROJECT ID</b> SPCS - PD |                 | <b>FILE</b><br>SPCS-PD.WEC-D | OCT'11      | 16295 NW 13th Ave, Ste A, Miami, FL 33169, PH: (305) 944-7710, FX: (305) 949-4483, www.signamax.com |                     |
| <b>PROCESS</b>              | <b>INITIALS</b> | <b>NAME</b>                  | <b>DATE</b> | <b>TITLE</b><br>WEC (WALL-MOUNT EQUIPMENT CABINETS, DUAL-SECTION)                                   |                     |
| DRAWN                       |                 |                              |             | <b>SIZE</b><br>A  | <b>REV</b><br>A     |
| CHECK                       |                 |                              |             | <b>CAGE CODE</b>  | <b>DWG. NO.</b>     |
| APPROVED                    |                 |                              |             | <b>UNIT</b> MM (IN)   | <b>SHEET</b> 1 OF 2 |
|                             |                 |                              |             | <b>SCALE</b> 1:10   |                     |

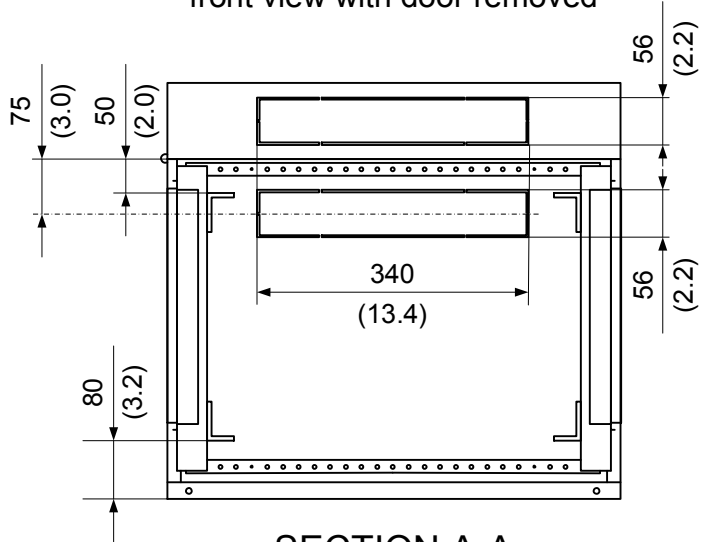
| REVISIONS |     |                |        |          |
|-----------|-----|----------------|--------|----------|
| ZONE      | REV | DESCRIPTION    | DATE   | APPROVED |
|           | A   | A-OCT-11 WEC-D | OCT'11 |          |
|           |     |                |        |          |



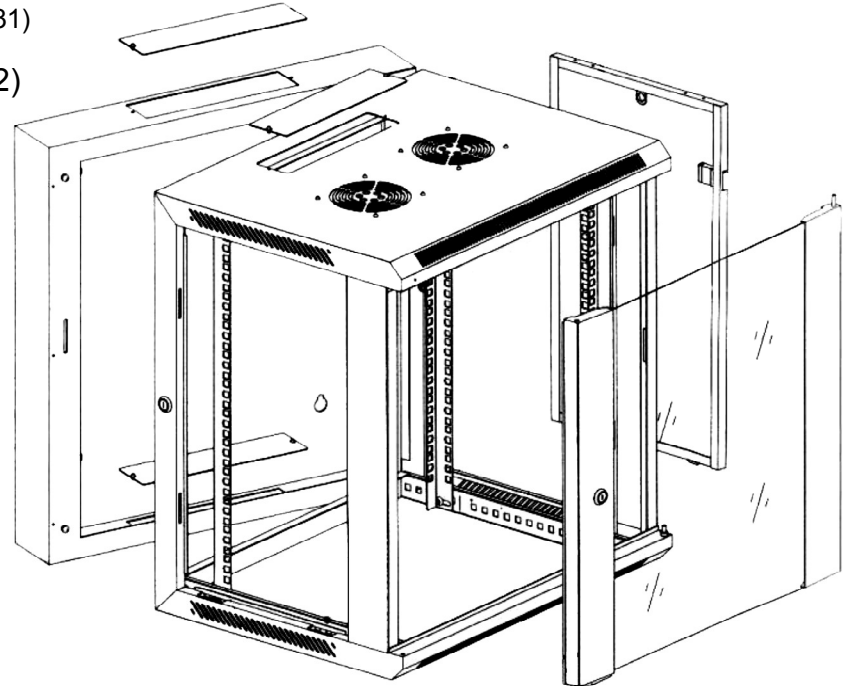
front view with door removed




DETAIL B (1:2)



SECTION A-A



|   |  |   |  |   |  |  |  |   |  |
|---|--|---|--|---|--|--|--|---|--|
| <small>UNLESS OTHERWISE SPECIFIED<br/>DIMENSIONS ARE IN MILLIMETERS (INCHES)<br/>TOLERANCES (MM):</small><br>L<=20 (0.8) ±0.1 (0.004)<br>L>20 (0.8) ±0.2 (0.008)<br>ANGULAR: ±0°50' |  | <b>MATERIAL:</b> AS NOTES<br><b>MECHANICAL:</b> AS NOTES<br><b>ELECTRICAL:</b> AS NOTES |  |  |  |  |  |   |  |
| <b>PROJECT ID</b> SPCS - PD   |  | <b>FILE</b> SPCS-PD.WEC-D   |  |   |  | OCT'11 16295 NW 13th Ave, Ste A, Miami, FL 33169, PH: (305) 944-7710, FX: (305) 949-4483, www.signamax.com |  |   |  |
| <b>PROCESS</b>  |  | <b>INITIALS</b>   |  | <b>NAME</b>   |  | <b>DATE</b>  |  | <b>TITLE</b><br>WEC (WALL-MOUNT EQUIPMENT CABINETS, DUAL-SECTION) |  |
| DRAWN   |  |   |  |   |  |  |  | <b>SIZE</b><br>A  |  |
| CHECK   |  |   |  |   |  | <b>CAGE CODE</b>   |  | <b>REV</b><br>A   |  |
| APPROVED  |  |   |  |   |  | <b>DWG. NO.</b>  |  |   |  |
|   |  |   |  |   |  | <b>SCALE</b> 1:10  |  | <b>UNIT</b> MM (IN)   |  |
|   |  |   |  |   |  | <b>SHEET</b> 2 OF 2  |  |   |  |